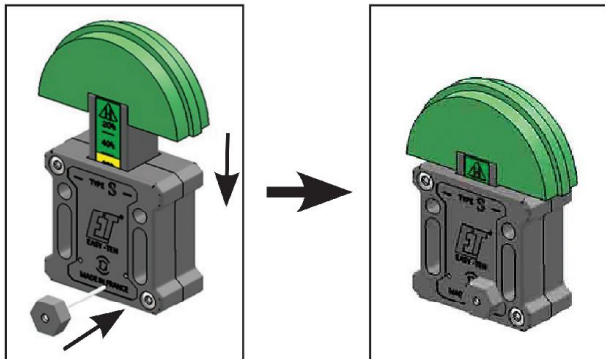


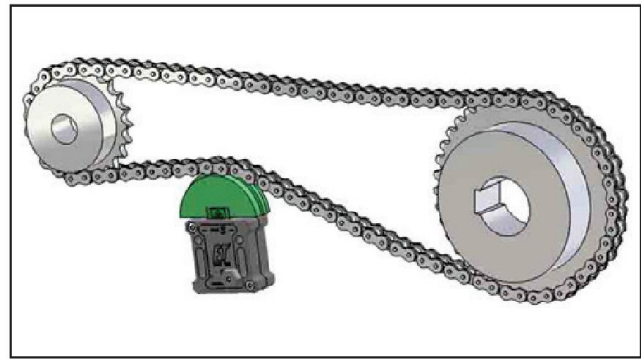
Automatic chain and belt tensioner New

TCSH
TCRX

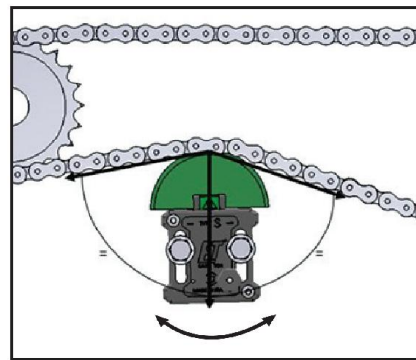
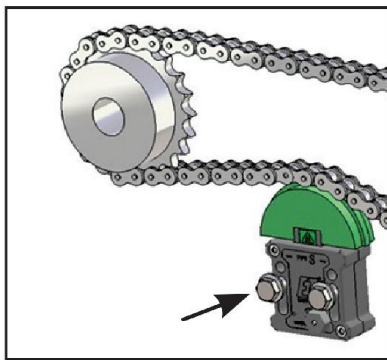
Mounting instructions



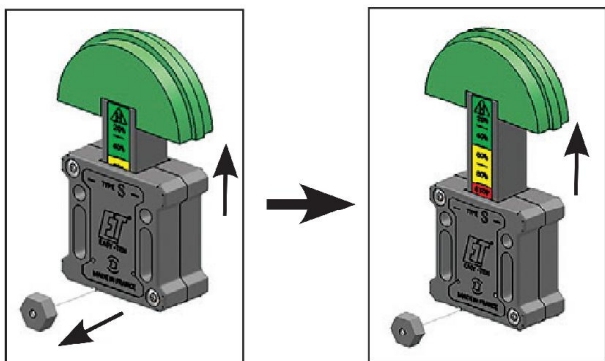
Pre-tension the tensioner using the button.



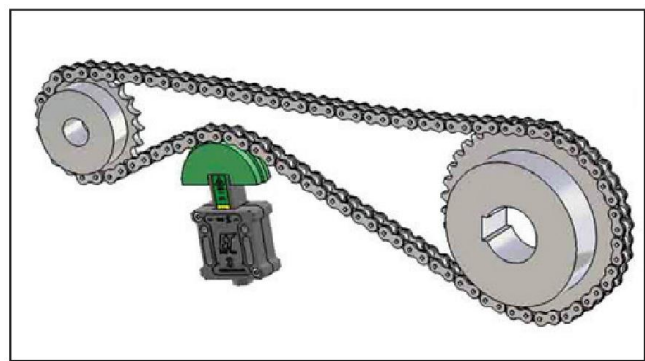
Position the tensioner under the chain (or belt) as close as possible to the sprocket on the slack side.



Once the angles of the belt or chain are equidistant to the tensioner, manually put it under tension and tighten.



The spring can be released by removing the pre-tension button, thus freeing the tensioner



The tensioner is now ready for use. The stroke of the tensioner should be within the green range.

Where there is movement in both directions, 2 tensioners must be used under both the slack and tight sides